

Past Times Country Craft Centre

Snowy Mountains Highway
Cooma, NSW 2630

Open Monday to Friday 9.30 - 4.30, Saturday and Sunday call extension at phone on door.

Past Times Country Craft Centre is a large retail and craft display centre with historic buildings and attractive gardens. It is situated 5km from Cooma on the way to Jindabyne at Travellers Rest. Past Times brings together the past times of the gold rush days together with the pastimes of persons who through the ages have enriched their lives through their personal endeavours. The Craft Centre has a fascinating collection of crafts and products from the Monaro Region. Find special knitting wools, natural and dyed, silk, mohair, alpaca and other fibres, felt, wool products, jumpers, beanies, socks and fashion accessories. Staff will bring stock for demonstrating to visitors on request.

Contact:

Phone: (02) 6452 4422
Fax: (02) 6452 4523
Email: ashford@snowy.net.au
TTY: n/a

Transport:

Transport is easiest via private car or coach. The Transborder Alpinexpress bus takes you to Cooma town centre which is approximately 10 minutes drive from the centre. There is no wheelchair accessible taxi service available in Cooma.

Parking:

Parking is located on open dirt/grassed area, there are no designated accessible car spaces, however there is adequate parking. The distance from carpark spaces to the entrance ranges between 2 - 15 metres. The parking area has some uneven patches.



Past Times Country Craft Centre

Approach and Entry:

The approach to the entrance from the car is through the carpark which is hard packed dirt. The maximum gradient of the carpark is 8%. There is a short ramp to the entrance that is 870mm wide, 100mm long and 15% gradient. The door is a glass door with 870mm width, however a second door can be opened to create 1400mm width. The door opens outwards with a lever handle at 1000mm. The floor surface on entry is cement.

Shop/Craft Centre:

The shop area has mostly adequate circulation space. The minimum distance between displays is 700mm. The counter height is 900mm with no knee space. There is some obstruction at counter as there are baskets which limit access. The staff are friendly and willing to accommodate for any access needs.



In the shop area there is one ramp between two levels, the ramp is 1000mm wide, 24% gradient and 2500mm length. The ramp has a hand rail at 880mm height.



Past Times Country Craft Centre

Museum:

From the shop there is a rough/uneven cobble stone path to the museum. The path width at narrowest point is 820mm. The path starts with a downwards sloping ramp which has a gradient of 17% and a handrail at 870mm height. The path then continues to the museum with a gradient of 6%.



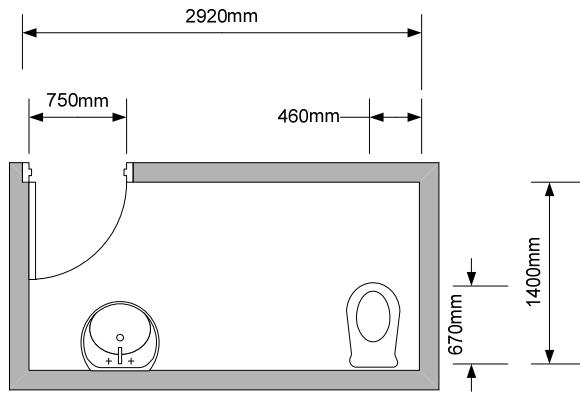
The entry to the museum has a minimum width of 880mm. It is an outwards opening glass and wooden door with a lever handle at 1060mm height. There is a small lip to negotiate on entry. The path of travel around the museum is through a number of rooms each with a door width of 750mm and a small lip at the door. At times, the door entries and exits are uneven and may cause potential hazard.

The museum has a cement floor and adequate circulation space. The minimum distance between the displays is 700mm. There are table and chairs located within museum. Tables are four legged tables at 750mm height and 730mm knee space.

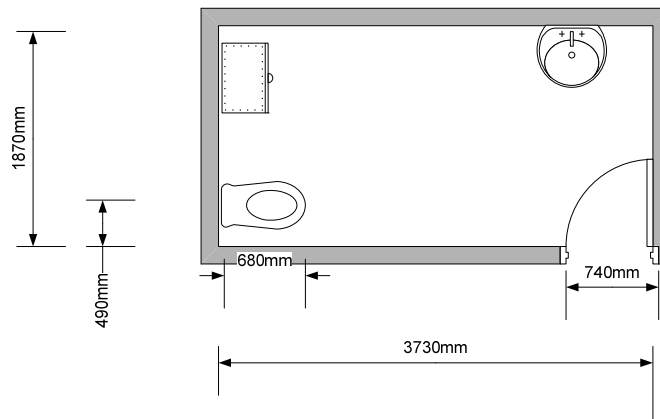
Toilets:

There are 2 toilets available that can be used for people with access needs one is male and the other is female.

The Male toilet is clearly signed. The entry door has a minimum door width of 750mm. The door opens inwards with a knob style door handle at 1220mm. The toilet is 480mm height with 670mm distance rear to front and 460mm from centerline of the toilet to the wall. The washbasin is 830mm height with 670mm knee space. The taps are star taps at 900mm height. The mirror is 1100mm at its lowest point.



The Female Toilet is also clearly signed. The entry door has a minimum door width of 740mm. The door opens inwards with a knob style door handle at 1020mm. The toilet is 440mm height with 680mm distance rear to front and 490mm from centerline of the toilet to the wall. The washbasin is 830mm height with no knee space. The taps are star taps at 900mm height. The mirror is 1100mm at its lowest point.



Emergency:

A documented emergency procedure is displayed. The alarm is audio and a Warden will seek to evacuate guests to safe refuge. The building has a number of emergency entry/exit points.