

Thredbo Bobsled

Valley Terminal
Thredbo NSW 2627

The Thredbo bobsled is 700m of luge style track. The bobsled twists and turns its way down the mountain whilst you control the speed with a brake on your cart.



Enquiries:

Phone: General enquiries (02) 6459 4100
Email: reservations@thredbo.com.au or info@thredbo.com.au
Web: www.thredbo.com.au/thingstodo/summer/index.asp
TTY: n/a

Transport:

Transport to Thredbo may be via private car or coach, an accessible taxi service is also available to be booked for transport from Jindabyne. The Transborder Alpinexpress bus takes you to Friday Flat in Thredbo where there is a good path of travel (~500m) to Valley terminal.

Parking: There are two designated accessible car parking spaces on the road opposite the main terminal building. They are clearly signed. Access from here to the Valley Terminal building is along a bitumen path with a slight uphill gradient.

Bobsled:

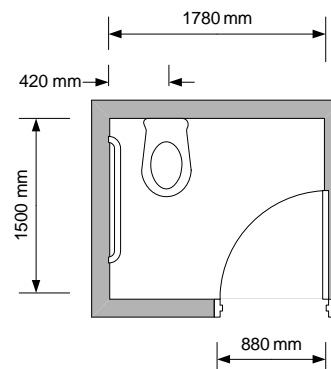
There is a flat path which turns into a ramp leading up to the bobsled from Valley Terminal. The path/ramp has a width of 1100mm to 2000mm. The gradient varies from 4 – 18% up the ramp.

The bobsled cannot run in the rain or if there is a lot of moisture on the tracks. For people with disabilities or accessibility needs, the Thredbo Staff will go on a case by case basis so it is important to call Thredbo Resort ahead of time. Thredbo staff will advise you of the safety issues.



Valley Terminal Toilet:

In the male and female toilet rooms behind Valley Terminal there is a designated disabled cubicle in each (see floorplan). There is a flat path of travel around the Valley Terminal Building.



Outside the cubicle
Mirror height 1100mm
Sink Height 900mm
Knee space: 580mm
Tap height 1000mm