

## **Bright Brewery**

121 Great Alpine Road  
Bright, 3741  
Victoria

Bright Brewery is located in the centre of town, next to the Information Centre. It is open from 12 noon till evening Fridays, Saturdays and Sunday plus public and school holidays (VIC and NSW). There is a bar with a large outdoor seating area and a small menu is provided. Other activities offered include 'Brewer For a Day', 'Tour and Tasting', and 'Beer Appreciation Workshop'. To participate in 'Brewer For a Day' it is recommended that you be able to negotiate ladders, have good standing balance, and be prepared for labour intensive work. The 'Tour and Tasting' is over a flat concrete surface, with good circulation space.



Picture 1. Path of travel to Bright Brewery

There is also access from the riverside parkland, via a steep gravel path.

### **Reservations:**

Phone: 03 5755 1301 to book for an event. No bookings are required for casual visits.

TTY: Nil

Web: <http://www.brightbrewery.com.au>

Email: [info@brightbrewery.com.au](mailto:info@brightbrewery.com.au)

### **Transport:**

Bright Brewery can be accessed via private vehicle and/or coach.

V-Line trains run to Albury or Wangaratta and there is V-line coach link up from Wangaratta to Bright, via Beechworth. The coach service uses an accessible vehicle. Contact V-Line 136 196 for information on availability and schedules.

### **Parking:**

There are no designated accessible parking spaces, however there is plenty of area for parking. The car park is approximately 10m from the Brewery's main entrance. The coach set down area is of the same distance and there is adequate space to unload wheelchairs from coaches/cars.

The surface of the car park is made from a deep layer of loose large pebbles. There is adequate lighting, and the path of travel is clear. The path is made from the same material as the car park, it is clear from hazards, but is difficult to propel a wheelchair over.

### **Restaurant/Bar:**

Bright Brewery has a small indoor area with chairs and bar stools, and a large undercover outdoor area, which is paved with tables and chairs. A large print menu is posted outside, with smaller print menus on each table. Drinks and food can be ordered at the bar.



Picture 2. Indoor seating

**Entry and Counter:**

There are 2 entries:

- 1) 6.6% gradient, with 40mm threshold. Two doors, with total width of 1700mm. Doors are outward opening with lever handles (1070mm high), self-closing, and of medium weight. One door is kept permanently open over summer (open width is 850mm)
- 2) As above, however no gradient and both doors are kept open over summer (total open width 1700mm).

The floor surface is wheelchair friendly (concrete). There is a mat on the inside of both doors. The counter is 1040mm high, with 95mm knee space. The owners have plans to modify a 1000mm wide section of the bar to 900mm high. There is clear signage and good lighting.



Picture 3. Main entry

**Dining Area:**

In the outdoor area the circulation space between the tables is approximately 850mm. Moving chairs can easily increase this.

The tables are 780mm high, with a knee clearance of 740mm.



Picture 4. Outside dining area

**Bathroom/Toilet:**

There are two toilets on the premises, with one being accessible. Both are unisex. To access the accessible toilet you need to first go through a light inward opening door. It is 860mm wide, has a lever handle at 1030mm high, and gently self-closes. The floor surface is concrete.

Entry into the accessible toilet is through a light inward opening door, 860mm wide. It has a lever handle 1030mm high. The door is self-closing. There is a toilet and a washbasin.

The washbasin is 780mm high, 370mm deep, and has a knee clearance of 140mm deep and 630mm high. There are lever taps at 900mm high.

There is adequate space for a right hand transfer onto the toilet. The height of the seat is 440mm. Centerline of the toilet to the nearest object is 450mm, and front of seat to the rear is 820mm. The height of the side grab rail is 780mm (800mm long horizontal section, then 700mm long oblique section). The height of the rear grab rail 780mm (300mm long).

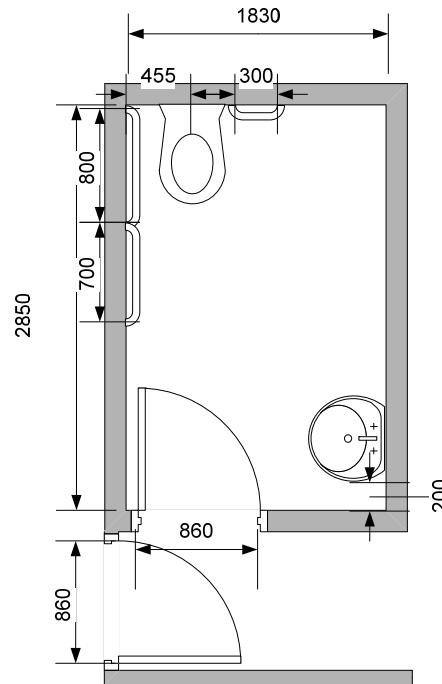


Figure 1. Floor plan accessible toilet



Picture 5. Accessible toilet