

Range Restaurant

258 Great Alpine Road
Myrtleford 3737 Victoria

The Range Restaurant offers a la carte dining and full licensed bar. Entrees are priced around \$20 and mains around \$30. They specialize in local, gourmet cuisine. The menu is typed in approximately size 14 font. The restaurant offers a ramped entry and has an accessible toilet.

Reservations:

Phone: 03 5752 2885
Fax: 03 5752 2886
Email: rangerestaurant@yahoo.com.au
Web: www.range.net.au/
TTY: n/a

Transport:

The Motel is best reached by private car or private coach. V-Line trains run to Albury or Wangaratta and there is V-line coach link up from Wangaratta to Bright, via Beechworth. The coach service uses an accessible vehicle. Contact V-Line 136 196 for information on availability, schedules and whether it stops in Myrtleford.

Parking:

There are no designated car parking spaces however there is ample parking available in front of the restaurant and adjacent to the entry.

Entry:

Path of travel to the restaurant entry is to cross a loose graveled driveway and parking areas. If parked at the front of the restaurant follow the line of the building approximately 10m to the left to the corner of the building where the entry is signed and then travel a further 10m to the ramped entry. If parking adjacent to entry cross the driveway for approximately 10m to reach the ramped entry. The concrete ramp has no rails until the top, is 990mm wide, approximately 8m long and is a gradient of 6.4%. The concrete ramp then levels out providing circulation space of approx 1000 x 1500mm immediately in front of reception door. A barrier exists along the edge of the landing. The door leading to the motel reception – which then leads to the restaurant – offers 980mm clearance and push door handle at 870 – 1100mm in height. The door is of medium weight with a self door closure.



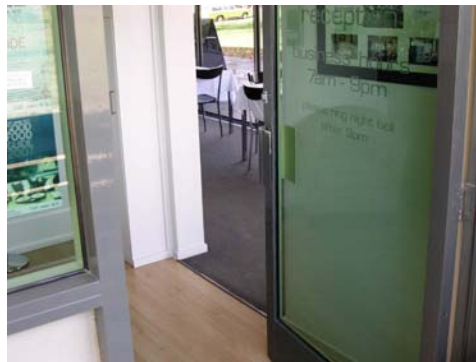
Picture 1: Entry

Range Restaurant

Reception:

The Alpine Motel reception area is a shared entry to The Range Restaurant. Signage indicates to move through the archway to the right which opens then to the left into the restaurant area. The bar is to the left again. Floor surface in the reception area is tiled and then immediately through the archway is low pile carpet.

Picture 2: Restaurant Entry



Bar:

The main bar height is 1060mm with underside clearance to 880mm. A lower, smaller portion is 910mm high with again 880mm underside clearance. Signage is limited but lighting is ample.

Picture 3: Bar



Dining room:

The dining area is large (at least 15m x 8m) with the option of inside or outside seating. There is ample circulation space around tables with the room configured with several small tables (four legged, 900 x 900mm) and several large tables (four legged, 900 x 1500mm). The double sliding doorway to the outside decking has minimal threshold and at least 1000mm clearance. The outdoor decking offers ample circulation space.



Picture 4: Dining area



Picture 5: Deck area

Range Restaurant

Bathroom:

The bathroom facilities are located directly off the main dining area. Entry is via a push door with lever handle (1050mm high) and clearance of 860mm. This opens to a shared area with through passage space of approximately 1000mm to the signed accessible toilet. There is a light weighted cavity slide door with clearance of 840mm and recessed handle at 1000 – 1100mm high. The door lock is also recessed. There is ample circulation space within the bathroom of at least 1500mm² clear space. Floor surface is tiled and a mirror fills the width of the basin mounted wall at 1150 – 2100mm high. The basin is 770mm high with 650mm underside clearance and 100mm underside depth. There is a lever mixer tap at 870mm high and 365 deep.

There is ample space for a left hand transfer to the toilet. Seat height is 450mm, distance from front to rear of 800mm and centerline to wall is 470mm.

There is a grab rail on the side wall of 800mm high, horizontal length of 950mm then extending vertically 600mm. A 300mm rail at 800mm high is on the back wall of the toilet.

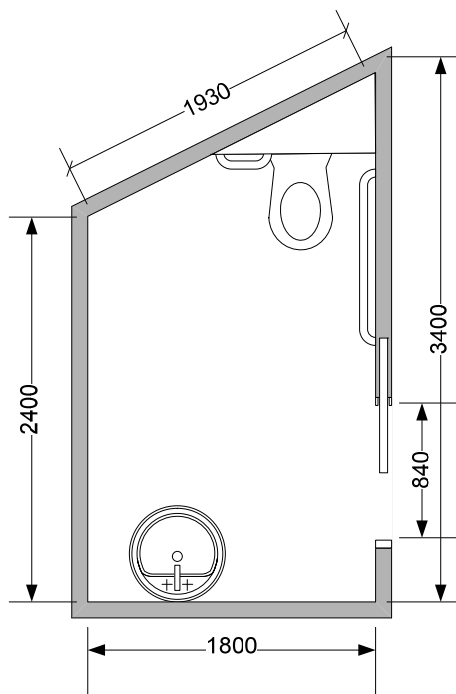


Figure 1: Bathroom



Picture 6: Bathroom



Picture 7: Bathroom

Other facilities:

The Alpine Motel is also on site. This offers varying standards of rooms. The Motel rooms were not assessed.

Emergency:

Follow directions of staff.